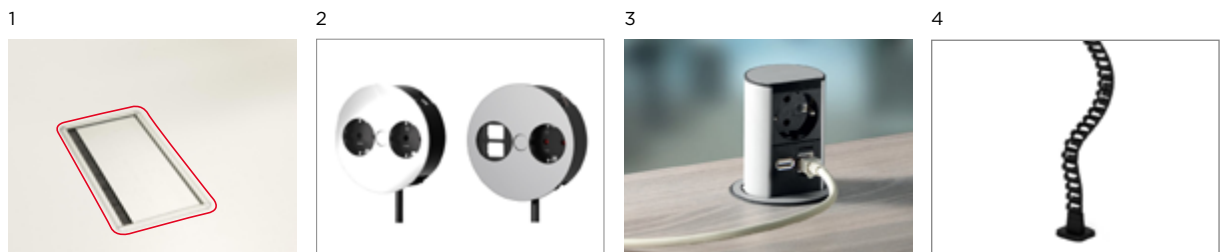


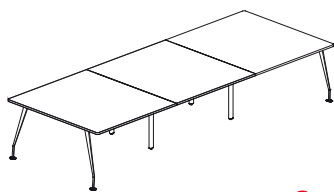
## CELL MEETING

Based on the operator series, Meeting Cell offers a similar design in terms of both appearance and functionality. Its shapes, with multiple sides, create an enveloping line around the table, clearly intended to stimulate interaction and participation among those attending.



### MEETING TABLE OPTIONAL FEATURES

1. Access to the tray via flip-open cover in metal or the same finish as the table top.
2. Table cable management: Twist (1 power socket + 1 USB data socket), diameter 108.
3. Cable management with pop-up power strip, diameter 80. Outfitting: 1 power socket + 1 USB data socket + 1 RJ45.
4. Jointed cable riser.



### MODULAR TABLE OPTIONAL FEATURES

1. Access to the tray via flip-up cover in metal or the same finish as the work top (restrictions on measurements).
2. Jointed cable riser for individual stations (2 A). Totem (2 B) or access covers on middle leg for grouped work stations.

## CELL MEETING

### DESCRIPTION

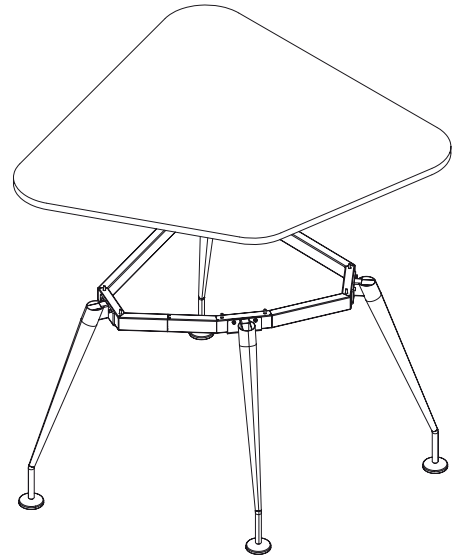
#### STRUCTURE

Tapered legs with bend welded to a 1.5-mm thick 50x30 profile and a 5-mm thick folded sheet-steel bracket, as per DIN 2395. These end in non-slip levellers with a diameter of 80 mm to compensate for uneven floors.

The entire structure is degreased, washed and phosphated before being coated with 80µm epoxy powder and then polymerised.

The powder coating complies with the current reaction to fire standard UNE 23827-90.

The table top and legs are joined to the frame with DIN912 M6 screws.



#### TABLE TOP

25-mm thick chipboard bonded with synthetic resins and especially designed for applications that require high bending strength. Average density: 660/635 kg/m<sup>3</sup> as per EN 323.

Finished on top with 0.7-mm thick **HPL** as per the indications of UNE 53173-92 and underneath with balancing sheet (BM80). 2-mm thick PVC edge as per UNE 56.843:01.

Finished in **wood** treated with high-resistance varnish, with 2 mm-thick wood edging.

Or **bi-laminated** finish. 2-mm thick PVC edge as per UNE 56.843:01.

#### FLIP-UP COVER AND CABLE TRAY

Below is a table showing the list of flip-up covers and cable trays.

We refer to the cover that corresponds to each table in the following sheet where we explain the range of tables.

	152-mm cover	275-mm cover	400-mm cover
FLIP-UP COVER	<p>Finishes: Metallic Wiring exit: Side</p>	<p>Finishes: Metallic Wiring exit: Frontal</p> <p>Finishes: Metallic Wiring exit: Side</p>	<p>Finishes: Metallic Wiring exit: Side</p> <p>Finishes: Same finish as the desk top</p>
CABLE TRAY	<p>350 126*</p>	<p>440 126*</p>	<p>540 126*</p>

\* A large capacity tray can also be installed. In this case, the height of the tray increases from 126 to 170 mm.

## CELL MEETING

### RANGE

#### 3-SIDED TABLE

<b>Serie 120</b> (152 cover)
AT 120 FT 120
<b>Serie 160</b> (275 cover)
AT 160 FT 160

#### 4-SIDED TABLE

<b>Serie 120</b> (152 cover)
AT 120 FT 120
<b>Serie 160</b> (275 cover)
AT 160 FT 160

#### 5-SIDED TABLE

<b>Serie 120</b> (152 cover)
AT 120 FT 120
<b>Serie 160</b> (275 cover)
AT 160 FT 160

#### 6-SIDED TABLE

<b>Serie 120</b> (400 cover)
AT 200 240 FT 120

#### 5-SIDED FLUSH-TO-WALL TABLE

<b>Serie 120</b> (Side cover 275 / Central cover 400)
AT 160 200 240 FT 120

<b>Serie 160</b> (Side cover 275 / Central cover 400)
AT 160 200 240 FT 160

#### TRIANGULAR TABLE

	F-130	F-170
<b>A-120</b> (152 cover)	●	
<b>A-160</b> (275 cover)		●

#### ROUND TABLE

	H-74
<b>A-120</b> (152 cover)	●
<b>A-140</b> (275 cover)	●
<b>A-160</b> (400 cover)	●

#### SQUARE TABLE

	H-74
<b>A-120</b> (152 cover)	●
<b>A-140</b> (275 cover)	●
<b>A-160</b> (400 cover)	●

#### OVAL TABLE

	H-74
<b>A-120</b> (152 cover)	●
<b>A-140</b> (275 cover)	●
<b>A-160</b> (400 cover)	●

#### RECTANGULAR TABLE (400 cover)

	A-160	A-180	A-200	A-220	A-240
F-100		●	●	●	●
F-120	●	●	●	●	●
F-140				●	

#### RECTANGULAR TABLE WITH CURVED SIDES (400 cover)

	A-160	A-180	A-200	A-220	A-240
F-100		●	●	●	●
F-120		●	●	●	●
F-140				●	

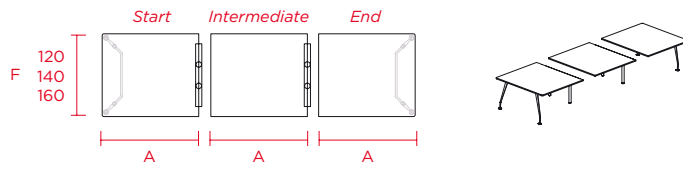
#### BARREL TABLE (400 cover)

	A-160	A-180	A-200	A-220	A-240
F-100			●		●
F-120		●	●	●	●
F-140					●

## CELL MEETING

### RANGE

#### MODULAR TABLE



	Work tops			Covers		
	Start table F-120 / F-140 / F-160	Intermediate table F-120 / F-140 / F-160	End table F-120 / F-140 / F-160	400-mm metallic cover s/o	400-mm Cover in same finish as work top	1000-mm Cover in same finish as work top
A-80	●		●			
A-120	●	●	●	●	●	
A-140	●	●	●	●	●	
A-160	●	●	●	●	●	
A-180	●	●	●	●	●	
A-200	●	●	●			●
A-240	●	●	●			●

### CERTIFICATIONS AND STANDARDS

