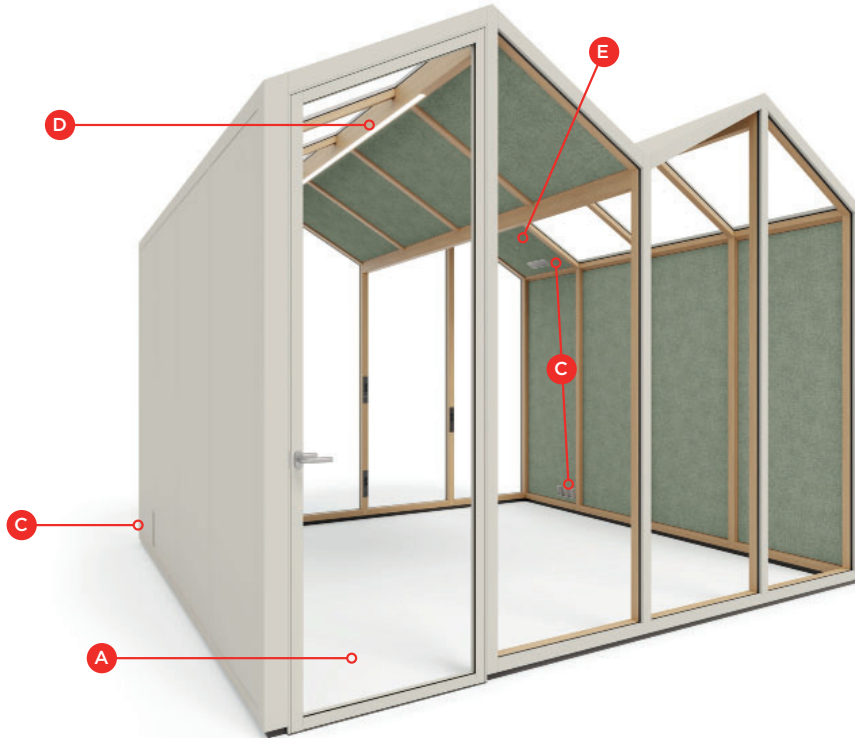


## EVA Room 2x2 · 4x4 - Pitched roof

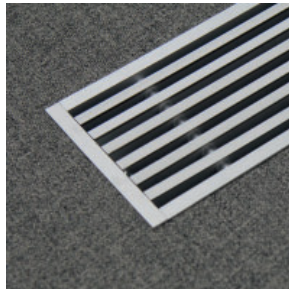
EVA Room with pitched roof are a set of different-sized spaces for work or team meetings. Because the EVA programme is modular, it is possible to build 2x2 or 4x4 rooms. Its efficient ventilation, lighting and soundproofing systems offer an optimal working environment without losing any personality and with a design that fits into any setting.



B



C




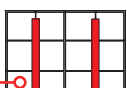
D



E

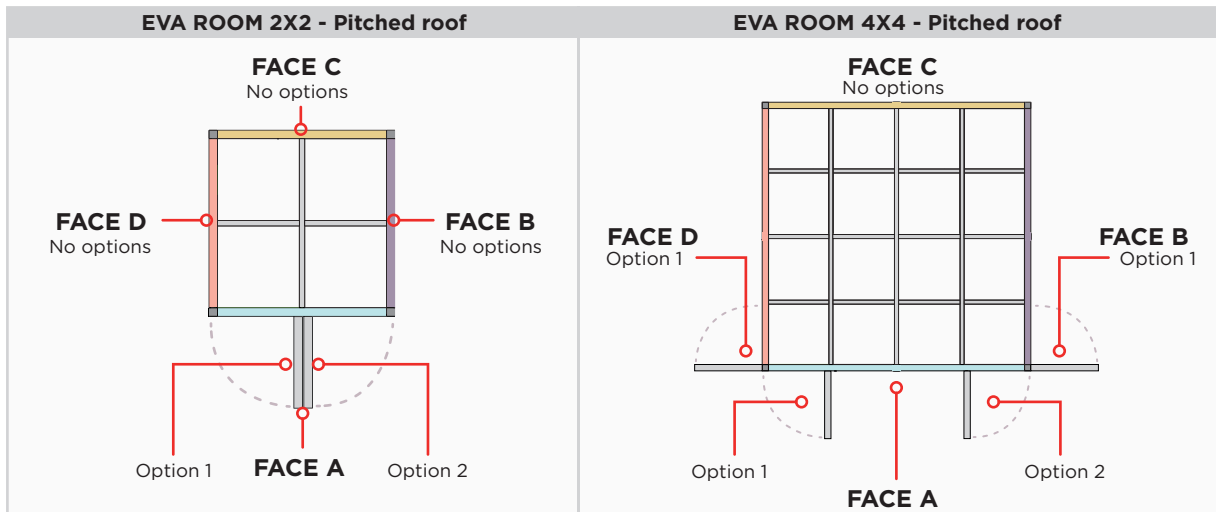


### FEATURES

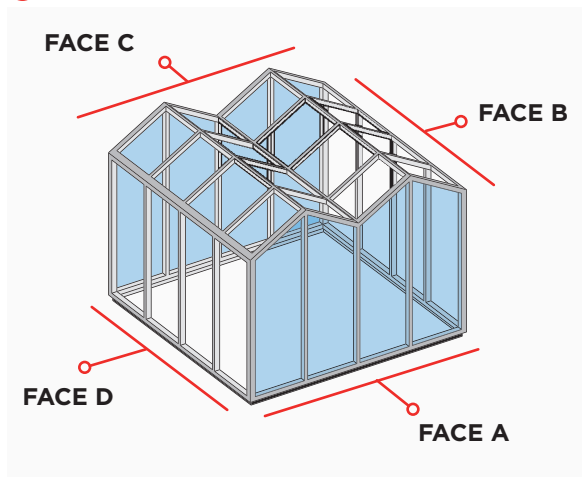
- Framed door in single-glazed 5+5 glass with acoustic laminate and concealed hinges with 3D adjustment system ( **A** ).
- Door latch (no key) and handle ( **B** ).
- Air renewal system which remains on for 8 minutes following departure of the user (time modifiable from 1 to 8 minutes). This operation should only be carried out by authorised personnel or personnel trained to handle electrical components. The DIN 1946 standard states that the air should be renewed 5-10 times an hour ( **C** ). Air renewal by room size:
  - 2x2 room: 1 ceiling panel with two extractors, extraction capacity 280 m<sup>3</sup>/h, 32 times/hour.
  - 4x4 room: 2 ceiling panels with two extractors (4 in total), extraction capacity 560 m<sup>3</sup>/h, 13 times/hour.
- 34 W/m LED lighting, 6500K white light and 3100 lm/m. Built into the longitudinal profile ( **D** ) and with presence sensor ( **E** ):
  - 2x2 room: on central beam. 
  - 4x4 room: on the two intermediate beams. 

## EVA Room 2x2 · 4x4 - Pitched roof

**A**



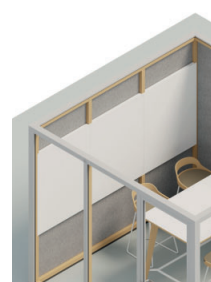
**B**



**C**



**D**



**E**



**F**



### OPTIONAL FEATURES

- Left or right opening door ( **A** ):
  - On face A, the door is always hinged on one of the taller posts and closes towards the corner post.
  - On faces B and D, the door is always hinged on the corner with face A .
- Key lock.
- The face A and C panels (trapezoidal) are always in 5+5 acoustic laminated glass. The B and D panels can be in 5+5 acoustic laminated glass or fabric ( **B** ). To achieve agreeable acoustic comfort, we recommend at least:
  - **1 face with fabric panels** on EVA rooms with floor in absorbent material (carpet).
  - **2 faces with fabric panels** on EVA rooms with floor in more resonant material (vinyl, parquet, etc.).
- VDU wall mount: located on the central post in 2x2 and 4x4 rooms ( **C** ).
- Magnetic whiteboard between posts ( **D** ).
- Double power socket, according to country (EU, UK, FR, BL, USA), with 2 USB charging outlets built into post (2 height options). The 2x2 rooms have 1 unit. The 4x4 rooms have 2 units ( **E** ).
- Mechanism which allows you to move the room following assembly and adapt your workspace agilely ( **F** ).
- Ready for the subsequent installation of smoke detection and emergency exit systems by the customer.

## EVA Room 2x2 · 4x4 - Pitched roof

### DESCRIPTION

#### STRUCTURE

Main profiles in extruded aluminium joined by metal connectors and hidden screws. **The interior profiles are clad in natural wood European oak veneer with an open-pore, clear varnish finish, achieving the warmth of wood to both the eye and touch.** The outer profiles are painted in the customer's choice of epoxy polyester coating.

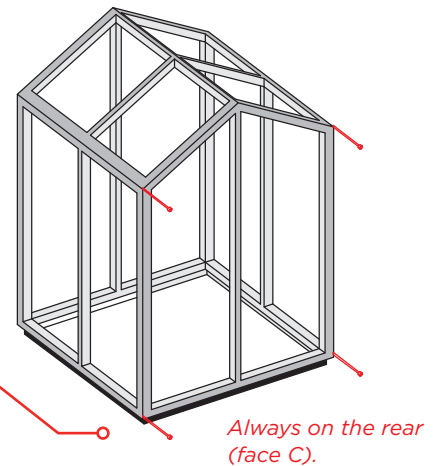
All the profiling is factory pre-cut to measure for **quick, clean assembly**. Rubber excluder strips for a **perfect seal to prevent air and sound leakage** come included.

**The entire wiring system** for the presence sensor, air extractor, power sockets and USB charging outlets **is built into the profiles, leaving no wires in view.**

#### BASE

Profiled steel bottom runner, onto which an aluminium plinth is fitted. **Fitted with levellers** to compensate for uneven floors.

**The room is hooked up externally to the mains** via a Schuko connector, according to country (EU, UK, FR, BL, USA), which can be fitted **on one of the 4 points available** (2 bottom rear and 2 top rear), **selected on assembly.**



#### PANELS

The rooms are sealed with **interchangeable panels**, which can be:

1. Acoustic laminated 5+5 **glass**.
2. **Fabric** interior and metal exterior. The 2x2 room has one fabric panel with air outlet, and the 4x4 room has 2.

**Exterior panel in folded, formed sheet steel**, perforated at the bottom to facilitate the entry of air in the case of ventilation panels ( **A** ), with a 13-mm thick plasterboard panel (insulation) and a 30-mm thick sheet of acoustic PET (absorption). Finish in the epoxy polyester coating of the customer's choice, selected from the range available.

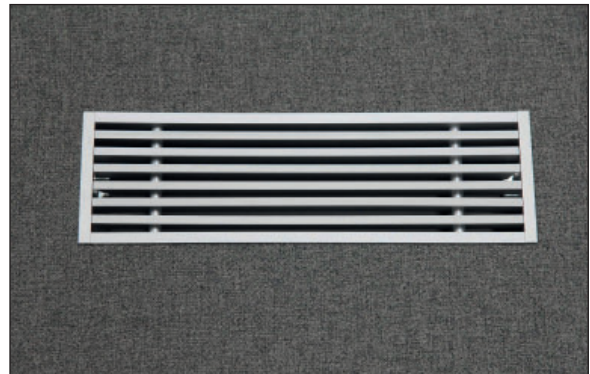
**Fabric interior finish.** The ventilation panels have an anodised aluminium grille at the bottom to permit the entry of air ( **B** ).

These panels are attached to the main structure with extruded aluminium clamping profiles.

**A**



**B**



## EVA Room 2x2 · 4x4 - Pitched roof

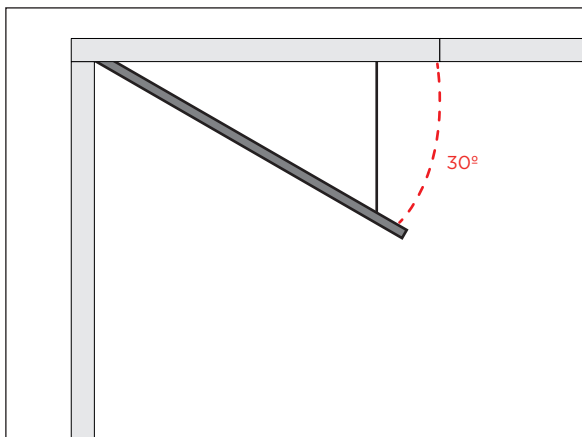
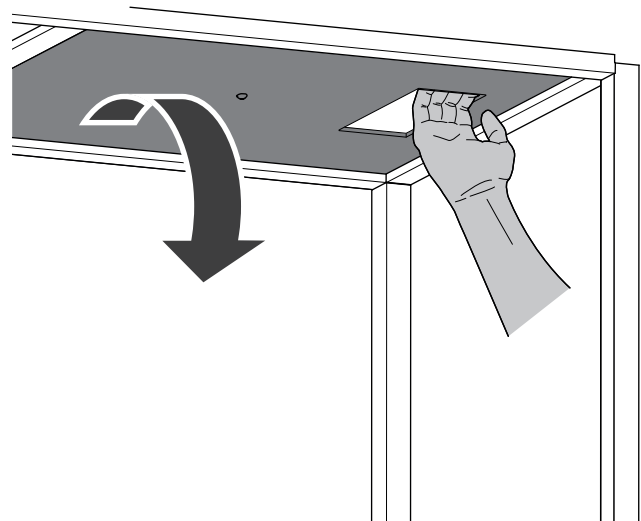
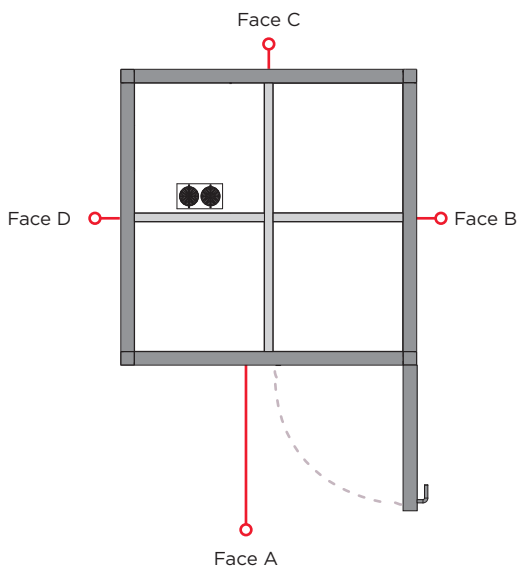
### TOP

There are three types of top panels with fabric interior finishes:

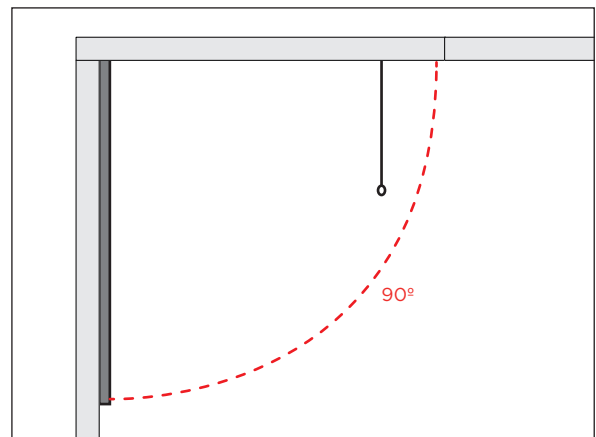
- **T0:** Blind fabric ceiling finish. Exterior in formed sheet steel, with 13-mm thick plasterboard (insulation) and a 30-mm thick sheet of acoustic PET (absorption).
- **T2:** Blind fabric ceiling finish. Exterior in formed sheet steel. Ceiling with smoke detection cable and extraction: 1 unit in 2x2 rooms and 1 unit in 4x4 rooms.
- **T3:** Blind fabric ceiling finish. Exterior in formed sheet steel. Ceiling with extraction without smoke detection cable: 1 unit in 4x4 rooms (panel exclusively for these rooms).

**Upholstered interior finish.** It has an integrated anodized aluminum grille that does not coincide with the exterior perforation, forcing the air to follow a path between sound-absorbing PET panels and allowing air to escape through the extraction system.

**The air renewal and lighting systems, the cable for the subsequent installation of a smoke detection system and the power supplies for the electrical components are built into corner ceiling panels against face C of the room.** The electrical access ceiling panels (T2 and T3) are hinged and can be opened from inside the room for easy access to these systems. When opened, the panels are secured by 1 cord to provide a 30° aperture or the cord can be released to open the panel 90°.



Service ceiling panel opened to 30°



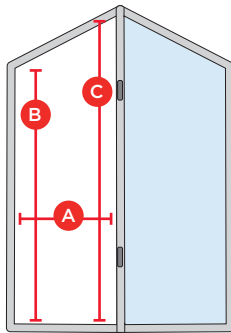
Service ceiling panel opened to 90°

## EVA Room 2x2 · 4x4 - Pitched roof

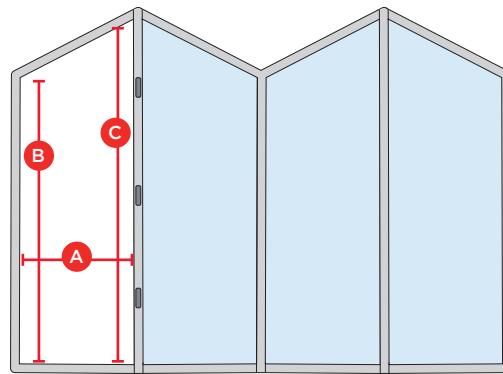
### DOOR

On **face A**, the clear door opening is trapezoidal.

- 2x2 EVA Room: Opening 80.3 cm wide and 195.5 cm high at the lowest point, and 240.3 cm high at the highest point. (2 hinges).
- 4x4 EVA Room: Opening 80.3 cm wide and 234.7 cm high at the lowest point, and 279.5 cm high at the highest point. (3 hinges).

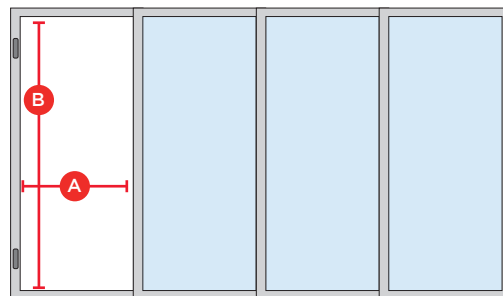


- A** 80.3 cm
- B** 195.5 cm
- C** 240.3 cm



- A** 80.3 cm
- B** 234.7 cm
- C** 279.5 cm

Doors on **face B** or **D** are only available on 4x4 rooms: rectangular clear door opening measuring 80.3 cm wide and 230.3 cm high. Framed, single-glazed 5+5 glass door leaf with acoustic laminate and 2 concealed hinges with 3D adjustment system to adjust the door in all directions.



- A** 80.3 cm
- B** 230.3 cm

For safety reasons, the framed glass door, which offers full visibility of the transit area outside the room, is the only option available.

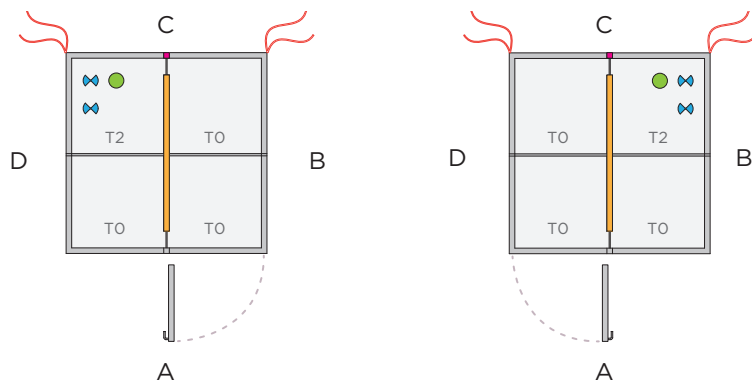
The door **comes with door handle included**.

## EVA Room 2x2 · 4x4 - Pitched roof




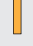


### SUMMARY OF SERVICE CEILING PANELS

Here is a schematic summary of the different features of the rooms according to size.

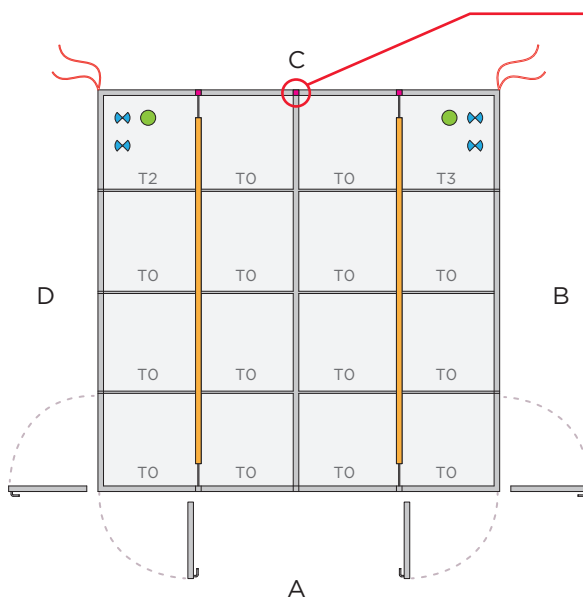
#### EVA Room 2x2 with pitched roof



#### Key

-  **Power hook-up.** Position options: Left/right and Top/bottom.
-  **Air renewal extractor.**
-  **Presence sensor.** Automatically activates air renewal and lighting.
-  **LED lighting system** built into longitudinal profile.
-  Built in double **power socket** with 2 USB charging outlets
-  **Fabric ceiling. (T0 / T2 / T3)**

#### EVA Room 4x4 with pitched roof



*Power is only fitted on the central post when the room has a VDU wall mount.*

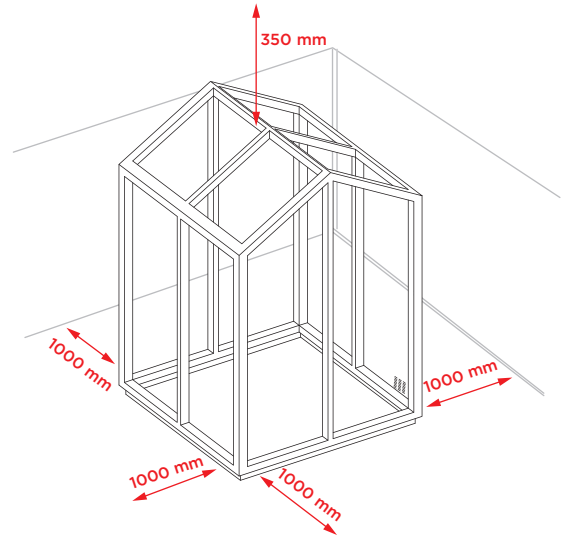
## EVA Room 2x2 · 4x4 - Pitched roof

### IMPORTANT RECOMMENDATIONS TO LOCATE THE EVA ROOMS

Below we detail some important recommendations to take into account when locating the EVA rooms, in assembly and in final location.

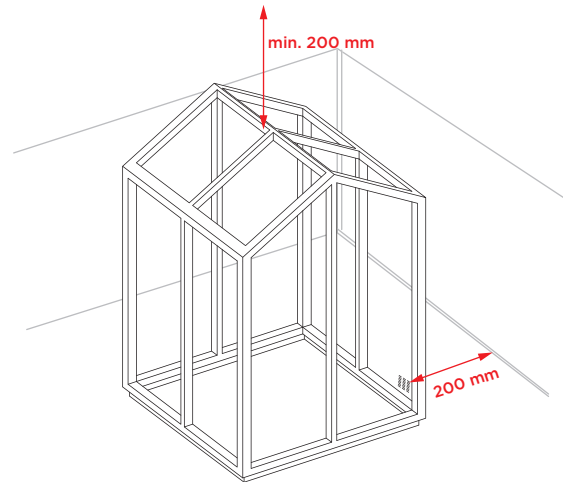
#### For assembling

- 1 linear meter is needed around the room to allow its assembly.
- There must be a distance of 350 mm from the ceiling of the room to the ceiling of the installation to be able to screw/mount the upper structure. Otherwise, you must ensure that you can mount it in another space where this distance to the ceiling of the installation is available, in addition to the possibility of moving the room from the mounting point to the final location of the product. To do this, you must request the movement mechanisms of the room.



#### For final location of the room

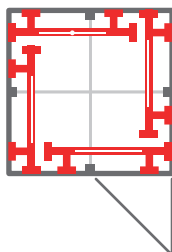
- In the final location of the room there must be a space of 200 mm from the air grilles of the side panel to the nearest wall and with respect to the ceiling we will have at least 200 mm.



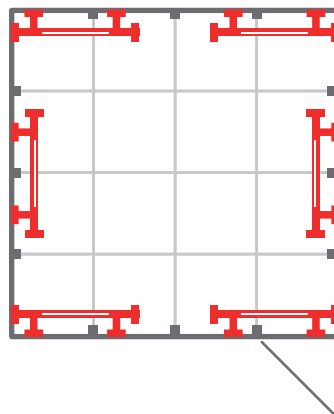
#### Arrangement of the support (trolley) for moving the rooms.

Place each support according to the illustration.

Room 2x2 = 4 units



Room 4x4 = 6 units

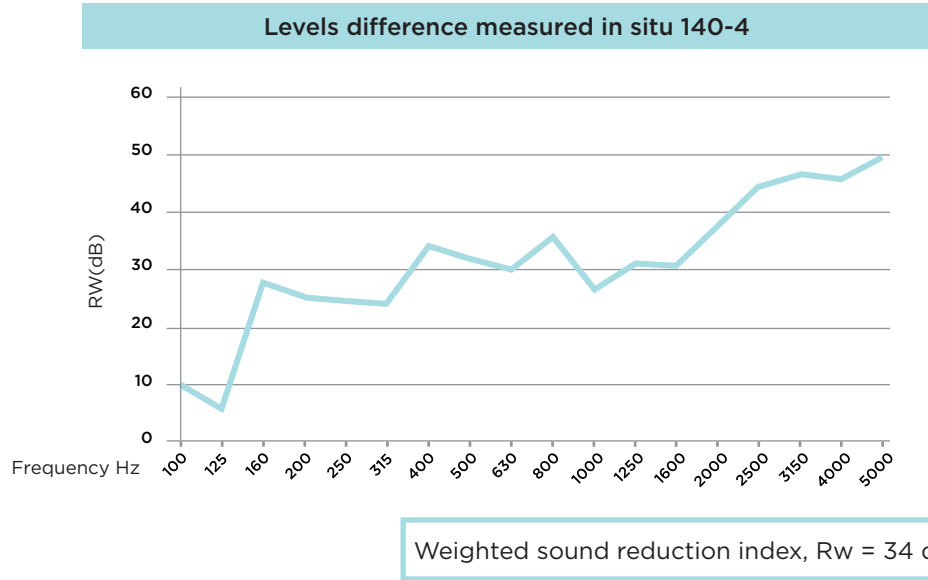


## EVA Room 2x2 · 4x4 - Pitched roof

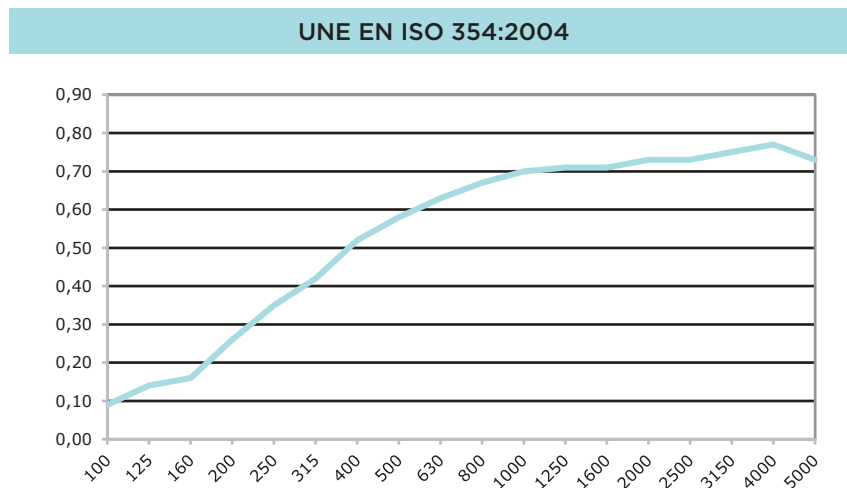
### CERTIFICATES AND STANDARDS

#### Acoustics

- Airborne sound insulation: 34 dB per UNE-EN ISO 10140-2:2011



- Interior Sound Absorption Class C with  $\alpha_w = 0.6$  as per UNE EN ISO 354: 2004 (Geopanel).



$\alpha_w$	Class
0,6 (H)	C

#### Fire

All the elements which make up the EVA pod are certified as B-s1-d0 for reaction to fire according to EN 13501-1 + A1:2013.



## EVA Room 2x2 · 4x4 - Pitched roof

### CLEANING AND MAINTENANCE

Taking proper care, and properly cleaning, of the booth will extend its service life and make it more comfortable to use.

#### Painted surfaces:

- Use a neutral soap with lukewarm water or an all-purpose detergent.
- Clean the surfaces gently; do not use excessive force to avoid marking or discolouring them.
- Do not use alkaline or acidic cleaning products (bleach, ammonia...) since they could damage the surfaces.
- Do not use alcohol, acetone or solvents.
- Do not use abrasive cloths or scouring pads so as to not irreparably damage the surfaces.

#### Glass panes:

- Use a neutral soap with lukewarm water or a store-bought cleaning product.

#### Carpet:

- Use a Hoover to keep dirt and small objects from building up on the carpet.
- Avoid using of bleach or ammonia.

#### Ventilation grille:

- Use a Hoover to keep the suction grille clean.

### RECYCLING OF ELECTRICAL COMPONENTS:

Electrical components must be treated separately from household waste.

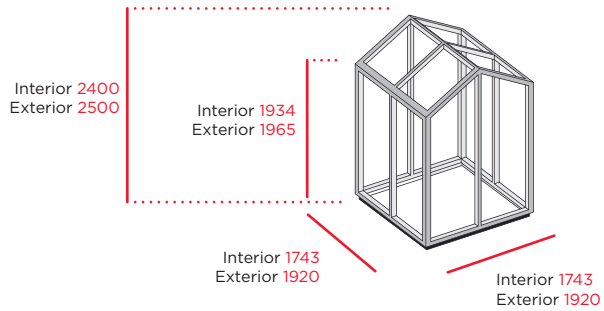
#### Directive 2002/96/EC (WEEE)

## EVA Room 2x2 · 4x4 - Pitched roof

### RANGE

#### EVA ROOM 2X2 WITH PITCHED ROOF

---



#### EVA ROOM 4X4 WITH PITCHED ROOF

---

