



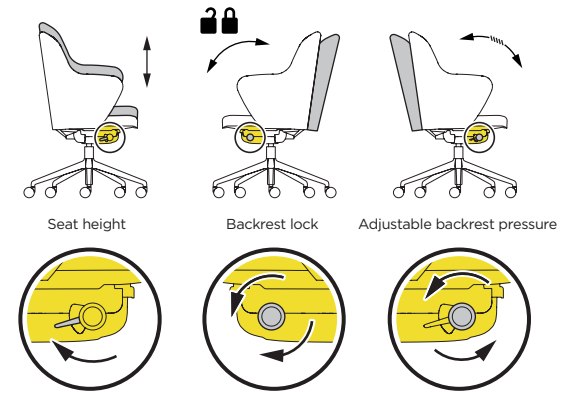
DOLMEN WORK CHAIR



TECHNICAL SHEET

PRESTACIONES OPCIONALES

SYNCHRO MECHANISM



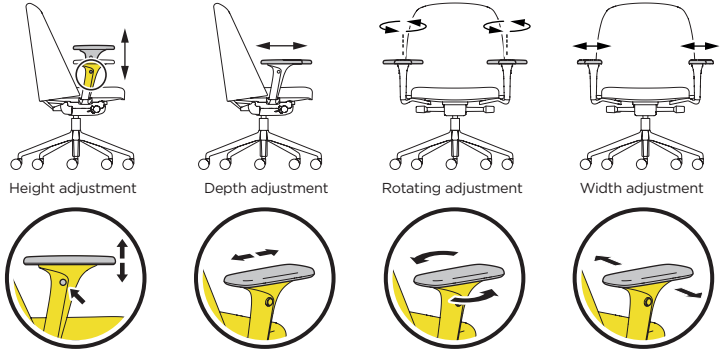
OPTIONAL FEATURES

ALUMINIUM ARM



4D TECHNICAL ARM

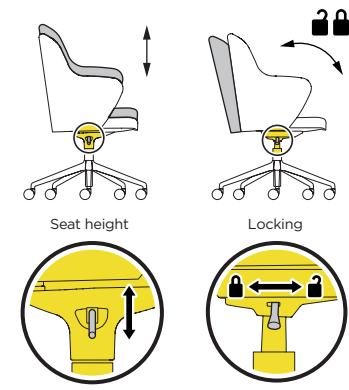
- Height adjustment: 100 mm
- Depth adjustment: 50 mm
- Rotating adjustment: $\pm 10^\circ$
- Width adjustment: 50 mm



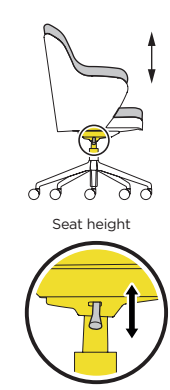
HEADREST ON XXL BACKREST



TILTING MECHANISM



SWIVEL MECHANISM





DESCRIPTION

BACKREST

Available in three heights: XXL, XL, and L.

Ergonomic backrest made of pressure-moulded MDF multi-layers with a total thickness of 13mm, including integrated arms.

Features metal threaded inserts to secure the various components. Includes 30mm thick flexible foam (density 35 kg/m³) and 100 g/m² thermo-bonded polyether wadding.

Final upholstered finish with twin-needle stitching.

Fixed to the seat or mechanism (depending on the model) via shaped steel plates, finished with 60/80-micron epoxy powder coating, complying with current fire reaction standard UNE 23827-90.

Optionally, XXL-sized backrests can include a fixed headrest integrated into the backrest upholstery.

Optionally, a fixed lumbar support can be fitted under the upholstery for chair variants with technical arms (XXL backrests with headrest, XXL, XL, L).

SEAT

Ergonomic seat made of pressure-moulded beech plywood with a total thickness of 13 mm, ergonomically cut according to the model.

It features metal threaded inserts to secure the various components: backrest, arms, and mechanism.

A 50 mm thick flexible foam with a density of 40 kg/m³ is placed over the wood.

Final finish upholstered in fabric.

MECHANISM

- **Synchronised:** Synchronised mechanism with backrest anti-return safety function and 4 locking positions.

It regulates the seat height as well as the movement of the seat and backrest.

The seat angle varies from 0 to 8° and the backrest from 90 to 110°.

4-step mechanism tension adjustment to adapt to the user's weight.

- **Tilting:** Tilting mechanism that allows the simultaneous inclination of the backrest and seat up to 7° backwards from the front position.

Dual-function lever: backrest locking in its front position and seat height adjustment.

- **Swivel:** High-resistance polyamide casing, fixed to the chair seat and connected to the chair gas lift via a 28° Morse taper, allowing the chair to rotate around a vertical axis.

With lift: The swivel mechanism for chairs with a gas lift includes a side lever that allows for seat height adjustment.

GAS LIFT

Pressure cylinder with 28° Morse taper for connection to the mechanism. Class 4, with a nominal stroke of 130 mm and 300 N force.

ARMS

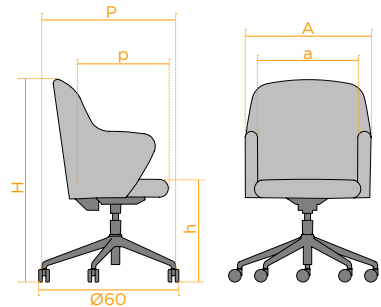
- **Aluminium arms:** Fixed to the upholstered backrest, made from low-pressure die-cast aluminium. Finished in 60/80-micron epoxy powder coating, complying with current fire reaction standard UNE 23827-90.

- **4D technical arms:** Support made of glass-fibre reinforced injected polyamide with TPU armpads. Available in white and black finishes (BA and NE). Fixed to the seat of the task chair.

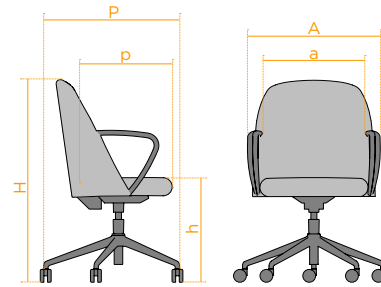
BASE

- Glass-fibre reinforced polyamide base Ø700 mm. Finish: black.
- Aluminium base Ø700 mm. Finish: Polished or epoxy polyester paint.
- Ø60 castors: Hard, soft or conductive. Finish: black. Load: 60 kg/castor.

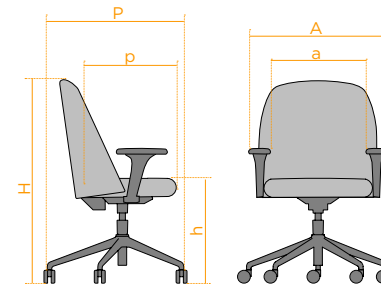




Dolmen chair with upholstered arm (L)



Dolmen chair with aluminium arm (L)



Dolmen chair with technical arm (L)

Designation	Size	a	A	p	P	h	H	Kg	Ta	Tr
Dolmen chair with upholstered arm	XXL	47	54	46	70	46/59	131.5/144.5	21.1	0.66	1.8
	XL	47	54	46	70	46/59	115.5/128.5	19.7	0.66	1.3
	L	47	54	46	70	46/59	96/109	18.6	0.66	1.3
Dolmen chair with aluminium arm	XXL	47	57	46	70	46/59	131.5/144.5	23.3	0.66	2
	XL	47	57	46	70	46/59	115.5/128.5	22	0.66	1.7
	L	47	57	46	70	46/59	96/109	20.7	0.66	1.3
Dolmen chair with technical arm	XXL	47	72.5/67.5	46	70	46/59	131.5/144.5	22	0.66	2
	XL	47	72.5/67.5	46	70	46/59	115.5/128.5	20.7	0.66	1.7
	L	47	72.5/67.5	46	70	46/59	96/109	19.4	0.66	1.3

- a | Seat width
- A | Total width
- p | Seat depth
- P | Total depth
- h | Seat height
- H | Total height
- Kg | Weight in kg
- Ta | Seat fabric
- Tr | Backrest fabric



RECYCLABILITY RATE



MODELS

- XXL headrest with upholstered arm
- XXL with upholstered arm
- XL with upholstered arm
- L with upholstered arm
- XXL headrest aluminium arm
- XXL aluminium arm
- XL aluminium arm
- L aluminium arm
- XXL headrest technical arm
- XXL technical arm
- XL technical arm
- L technical arm

% RECYCLED CONTENT

% RECYCLABLE

- 45,04
- 44,65
- 46,61
- 49,36
- 54,41
- 53,85
- 56,32
- 59,04
- 47,37
- 46,62
- 48,81
- 51,20

- 100
- 100
- 100
- 100
- 100
- 100
- 100
- 100
- 100
- 100
- 100
- 100



RANGE



With arm XXL headrest upholstered arm



With arm XXL upholstered arm



With arm XL upholstered arm



With arm L upholstered arm



XXL headrest aluminium arm



XXL aluminium arm



XL aluminium arm



L aluminium arm



XXL headrest technical arm



XXL technical arm



XL technical arm



L technical arm