

INOX-BOX

Modular storage system based on a main block measuring 500x357x500 which is stacked on top of an individual base or set of adjoining bases.



INOX-BOX

DESCRIPTION

STRUCTURE

Single side and rear shell made of folded, 0.8-mm thick, DCOA sheet steel per UNE-EN 10130 without visible joints.

FRONT

Folded, 0.8-mm thick, sheet steel. With stainless-steel hinges fixed to the rod.

The steel is degreased, washed and phosphated before being coated with epoxy powder and then polymerised. This powder coating complies with the current reaction to fire standard UNE 23827-90.

BASE

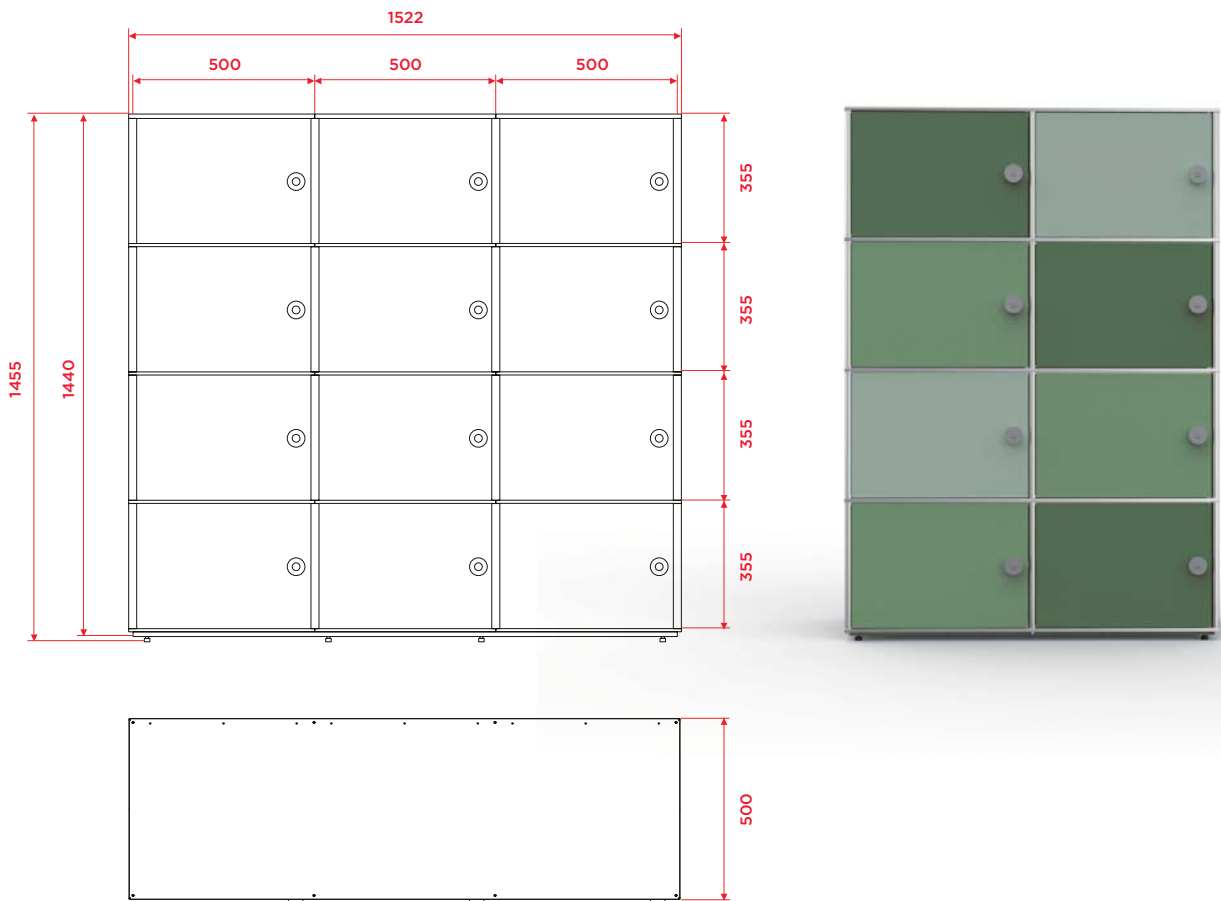
Assembly consisting of a top sheet of stainless-steel and a sheet of 0.8-mm thick, painted steel underneath with interior reinforcement welded to the steel in order to house the rod and screw the shell. 1, 2, 3 or 4 modules can be joined together to form a single piece.

Levellers operated from inside the storage unit.

TOP

Assembly consisting of a top sheet of stainless-steel and a sheet of 0.8-mm thick, painted steel underneath with rubber foam inside to dampen noise and provide greater strength. 1, 2, 3 or 4 modules can be joined together to form a single piece

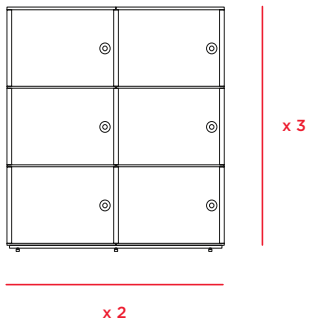
Fitted on the front and rear, separating the modules, is an assembly consisting of a stainless-steel inner rod and outer tube with a diameter of 20 mm that are screwed to the base and housed in the top of the upper module.



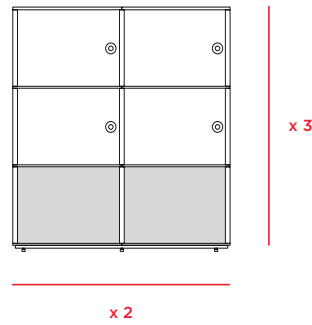
INOX-BOX

RANGE

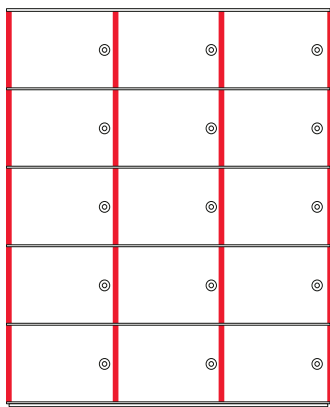
MINIMUM ASSEMBLY



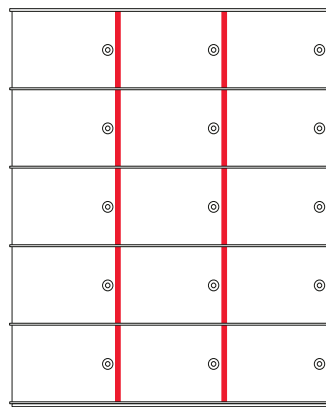
MINIMUM ASSEMBLY WITH BLIND SKIRTING



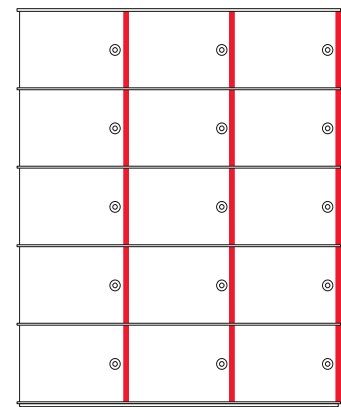
EXAMPLE OF MODULAR CONSTRUCTION (FOR A 9X5 ASSEMBLY)*



Start module



Extension module



Módulo final

* Inox-box modular construction

- The modular expansion of Inox-Box is unlimited. When there are more than 4 columns, the assembly should be ordered using the criteria of start, extension or end modules, bearing in mind that there are skirting units for 2, 3 or 4 columns.
- Combinations of more than 16 modules need to be assembled at destination (due to mobility issues).