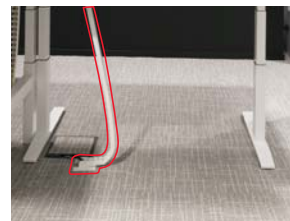


## MOVE

The Move desk is one of the solutions that Dynamobel has come up with to help people keep moving in the work environment. It is based on the concept of the height-adjustable work surface, a growing need no longer exclusive to more technical work stations.



### STANDARD FEATURES

- Single upper cable channel to house the electric control system. Flip-open to install cables after assembly.
- Flexible cable riser. 2 units on the double desk and 1 unit on the individual desk.
- SMARTeco control unit and Motion Assist handset to adjust height.
- SMART STOP. Anti-collision system.



### OPTIONAL FEATURES

- Large single upper cable tray to house the electric control system and power strips. Flip-open to install cables after assembly.
- 2 x d-80mm cable outlets on the desktop to house the monitor mounting arm or a socket.
- Flip-up cover providing access to the upper channel.
- Metal side separators to keep safe distance between desks (30 mm between desktops).
- Metal covers to close legs.
- Straight edge in any finish, or ergonomic edge in HPL only.
- HSU Display control panel.
- High-capacity metal totem cable riser on the double desk. Interior access via access cover. Can be positioned anywhere beneath the cable tray.

## MOVE

### DESCRIPTION

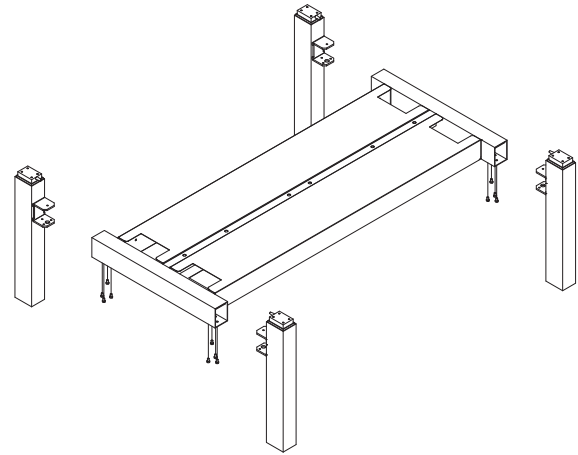
#### DOUBLE DESK STRUCTURE

##### Bottom structure

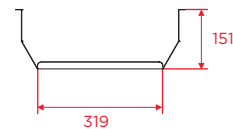
Assembly consisting of 2 longitudinal profiles measuring 80x30 and 2 transversal profiles measuring 80x60 made of 2-mm thick cold-rolled steel according to DIN 2395 welded together to form a rectangular structure onto which a 1-mm thick metal tray is welded: this is the horizontal high-capacity cable tray which houses the mechanism boxes and the necessary cables, which are concealed by two 1-mm thick hanging covers.

4 legs made of rectangular profiles in three sections measuring 80x62/73x55/66x48 which house the 4 electric motors with a travel limit of 650 mm. (596.5/1246.5 mm.). There are U-shaped pieces of metal welded onto the sides of the legs to screw them onto the welded assembly and form a solid gantry structure.

An additional longitudinal profile measuring 50x30x1.5 is fitted in the centre of the assembly to secure the panels.



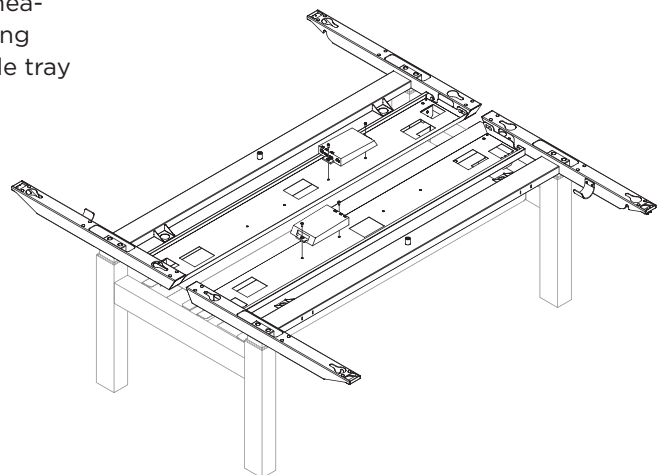
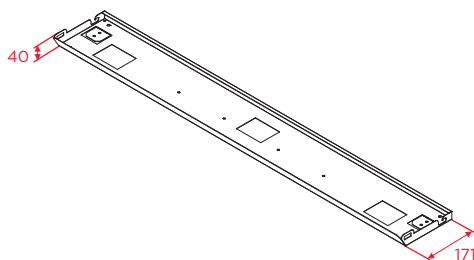
Horizontal cable tray



##### Top structure

Assembly consisting of 1 longitudinal profile measuring 80x30x2, 2 transversal profiles measuring 50x50x2 and a 1-mm thick steel flip-open cable tray or channel.

Flip-open cable channel

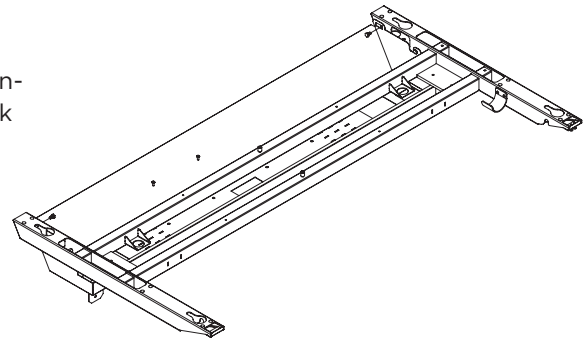


## MOVE

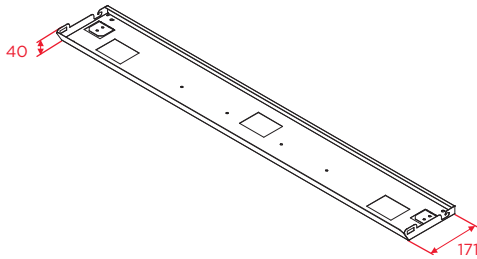
### INDIVIDUAL DESK STRUCTURE

#### Top structure

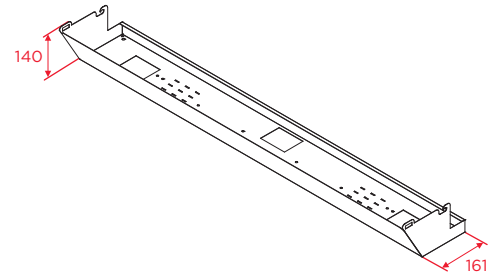
Unlike the double desk structure, this consists of 2 longitudinal profiles measuring 40x30x2 and 8-mm thick plates to secure it to the legs.



#### Flip-open cable tray



#### Flip-open cable channel



2 legs identical to those previously described ending in feet made of 4-mm thick folded sheet steel with 2.5-mm thick welded covers. The feet are fitted with levellers to compensate for uneven floors.

The structures have a hook for hanging accessories and a ring to secure a laptop, both welded to the frame. There is also an intuitive handset with which to set the height of the desk top. The keys are set at a slight angle to make it easier to use.



## MOVE

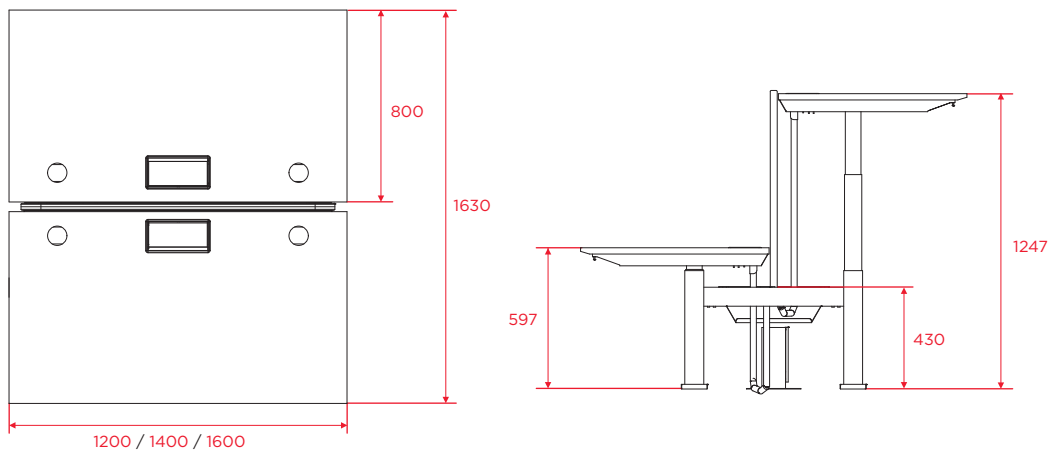
### DESK TOP

25-mm thick chipboard bonded with synthetic resins and especially designed for applications that require high bending strength. Average density: 660/635 kg/m<sup>3</sup> as per EN 323.

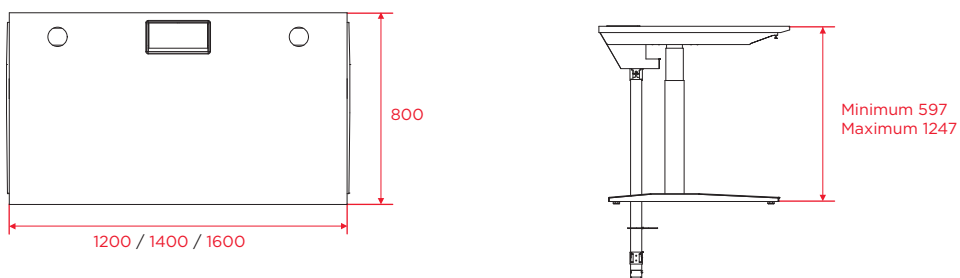
Finished on top with 0.8-mm thick HPL as per the indications of UNE 53173-92 and underneath with HPL balancing sheet (BM80). 2-mm thick PVC edge as per UNE 56.843:01.

Or finished in wood treated with high-resistance varnish, with 2-mm thick wood edging.

### Face-to-face desk



### Individual desk



### SMART STOP. ANTI-COLLISION SYSTEM

As an anti-collision safety measure, the Move desk control unit has a highly sensitive system that activates a mechanical brake -both when rising and lowering- which stops all movement to avoid collision and the danger of body parts or objects getting trapped between surfaces.

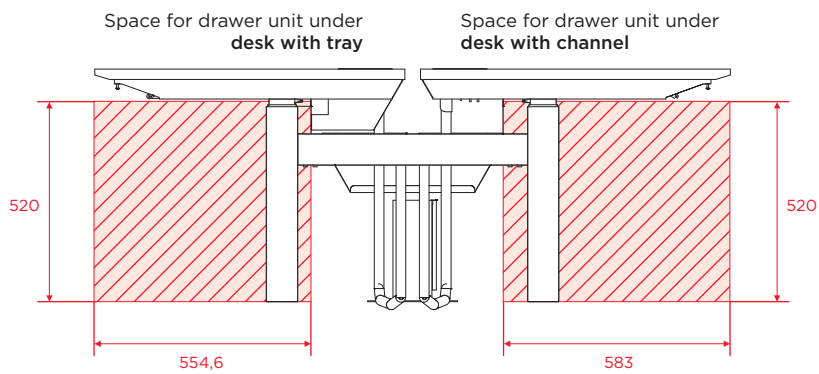
## MOVE

Desktop joined to frame with tool-free quick-clipping system.



The structure is degreased, washed and phosphated before being coated with epoxy powder and then polymerised. The powder coating complies with the current reaction to fire standard UNE 23827-90.

### SPACE FOR DRAWER UNIT

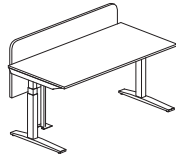
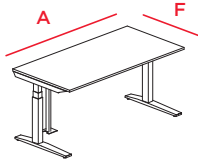


## MOVE

### RANGE

#### INDIVIDUAL DESK

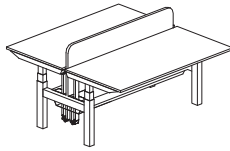
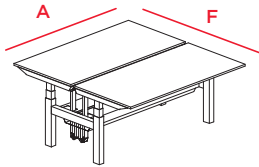
---



F 800  
A 1200  
1400  
1600

#### FACE-TO-FACE DESK

---



F 1630  
A 1200  
1400  
1600

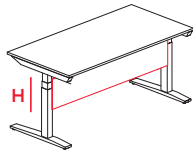
## MOVE

### RANGE

#### ACCESORIES

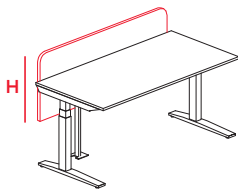
Modesty panel for individual desk

H 30

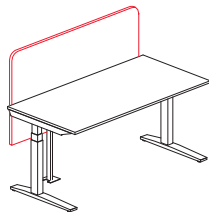


Frontal panel for individual desk

H 60

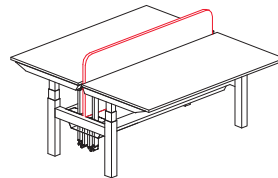


H 83

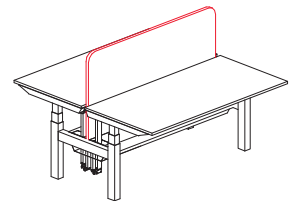


Frontal panel for face-to-face desk

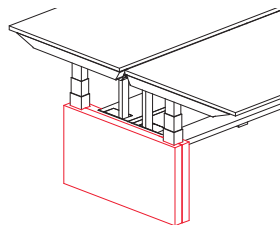
H 60



H 83



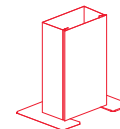
Side cover for legs



Leg connector



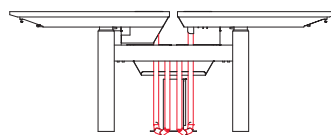
Totem cable riser



Jointed riser with base for individual desk



Jointed riser with base for face-to-face desk



### CERTIFICATIONS AND STANDARDS

